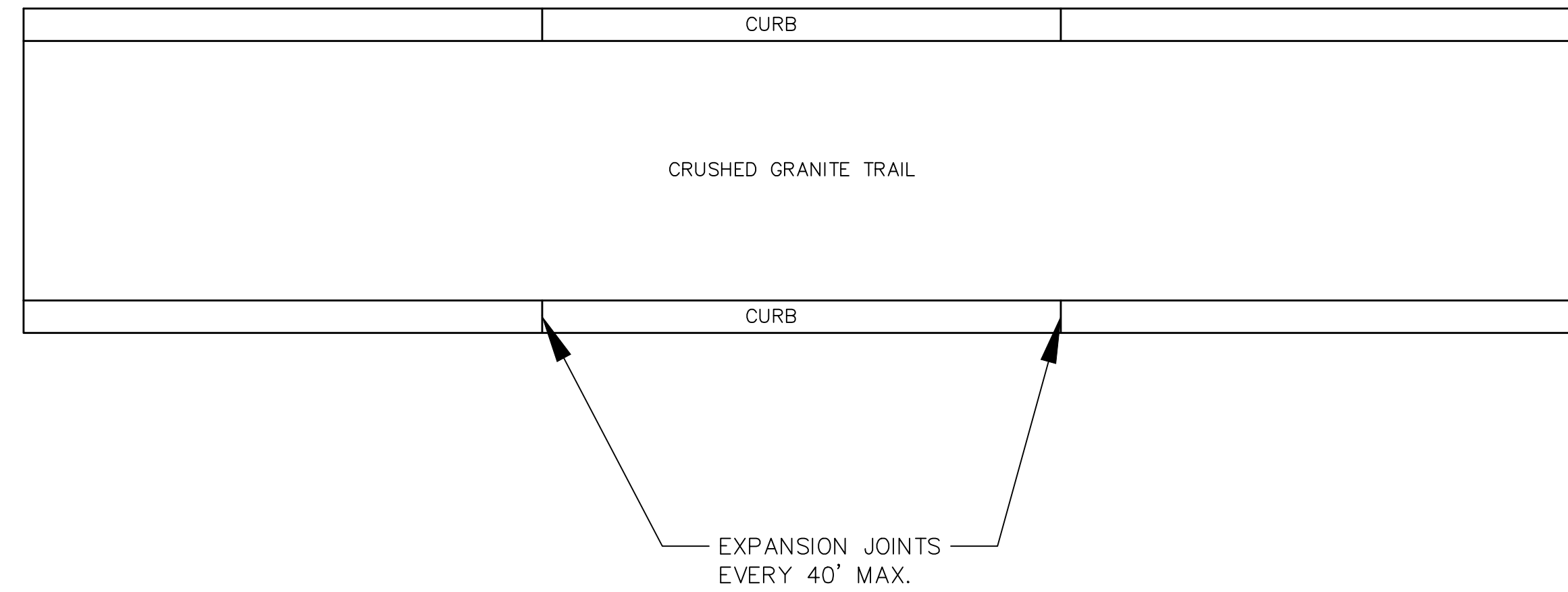
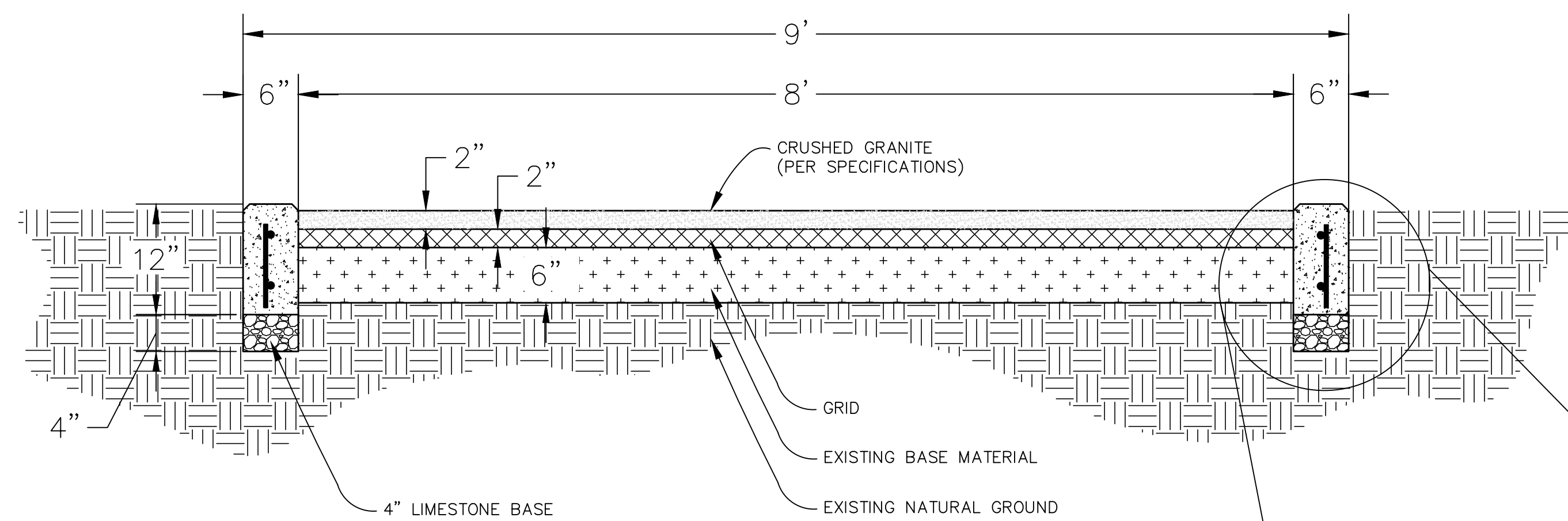


EXHIBIT A

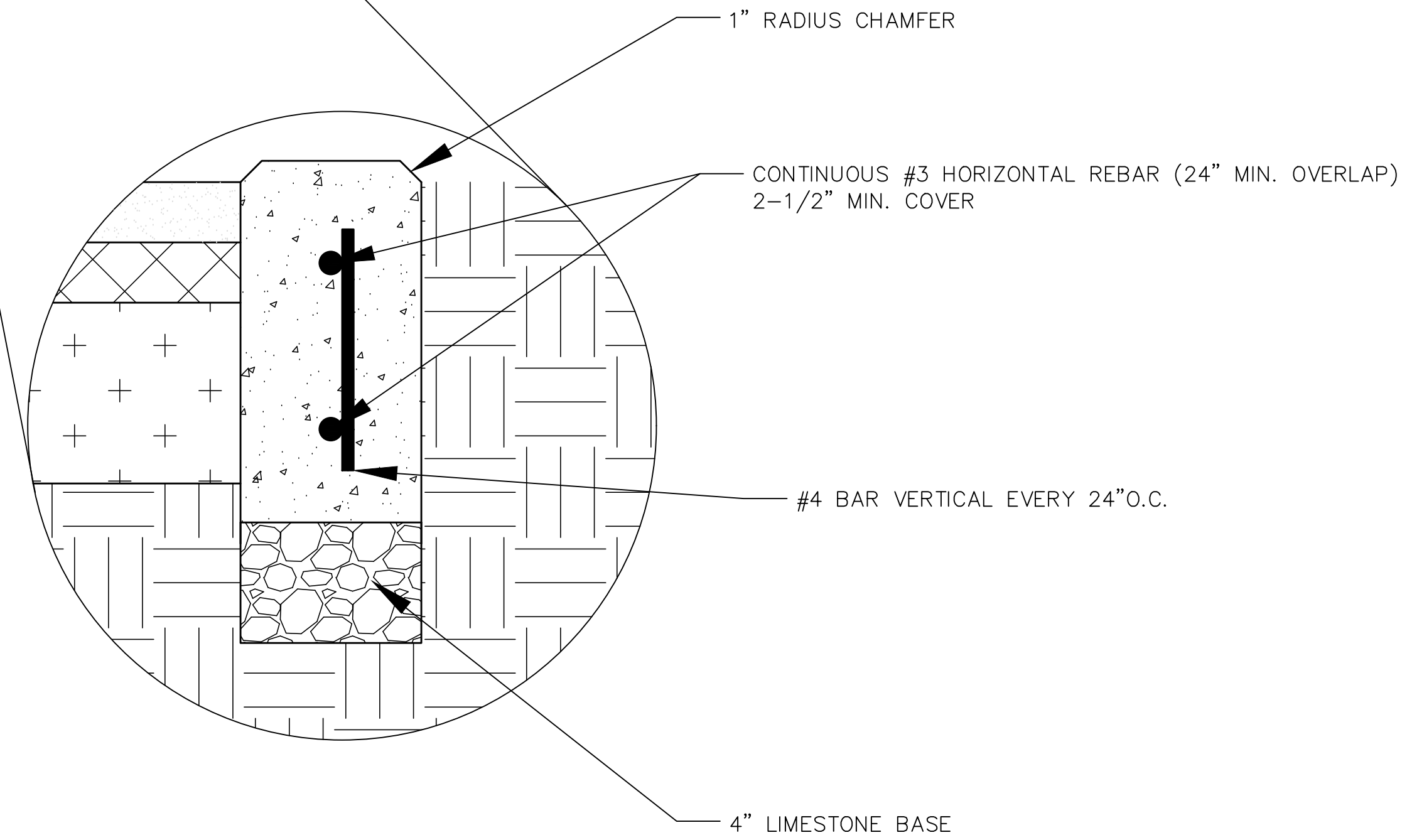


**9' CRUSHED GRANITE TRAIL W/ CONCRETE RIBBON CURB
PLAN VIEW**



9' CRUSHED GRANITE TRAIL W/ CONCRETE RIBBON CURB

- NOTES:
1. CONCRETE SHALL BE CLASS "A" WITH A 3,000 PSI MINIMUM STRENGTH AT 28 DAYS, W/1.5LBS/CY."FIBERMESH"
 2. CURBS SHALL BE BACKFILLED IMMEDIATELY AFTER REMOVAL OF FORMS TO PREVENT TILTING.
 3. 2" DEEP CONTROL JOINTS 10' O.C. MAX.
 4. EXPANSION JOINTS WILL BE PLACED AT CURB AT INTERVALS NOT TO EXCEED 40LF.
 5. JOINTS WILL CONSIST OF 1/2" PRE-MOULDED BITUMINOUS EXPANSION JOINT MATERIAL WITH 3-36"x1/2"
 6. 10 MIL. PLASTIC LINER TO BE PLACED ALONG TRENCH FOR RIBBON CURB.
 7. FLAT REBAR END CAP TO BE PLACED AT BOTTOM OF #4 VERTICAL REBAR



SCALE: NTS	SHEET 1	OF 1
Designed by: KRT	REVISION DATES:	
Drawn by: KRT		
Checked by: CL		
Approved by:		
Date: 07/20/20	CAD FILE NAME: PBenavides.20.dwg	

STANDARD DETAIL
EXHIBIT A

PETE BENAVIDES PARK
WALKING TRAIL
IMPROVEMENTS

"Building a Better Community"
1390 W. Expressway 83
San Benito, Texas 76566
(956) 247-3516 Fax (956) 381-8278

